

# SV06DNL SV08DNL

## SCISSOR LIFTS

SV06DNL provides high performance with proportional steering system at working sites.

SV06DNL achieves long duty cycle and battery power saving with AC motor drive.

### 1 LONG DUTY CYCLE

AC Driving Motor improves duty cycle by\*150% more as compared to our previous model (SV-B Series).

In addition, the Brushless motor will contribute to reducing the running cost.

(\*Above was measured by Aichi standard.)

### 2 SMOOTH STEERING SYSTEM

Proportional Steering Control System offers smooth operation.

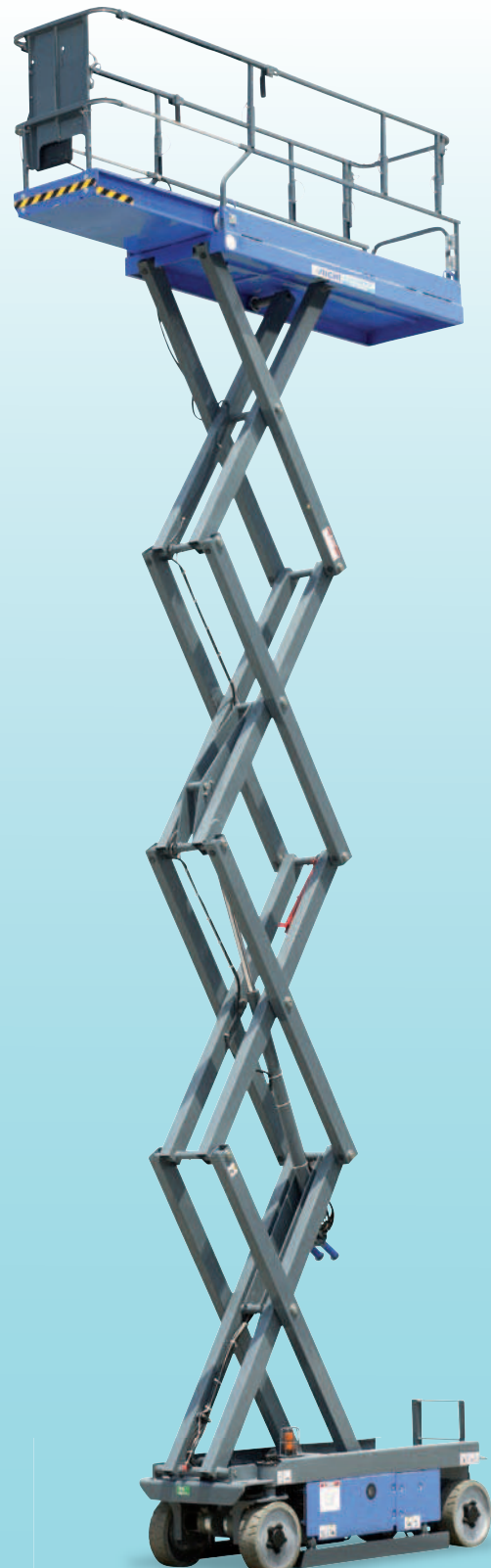
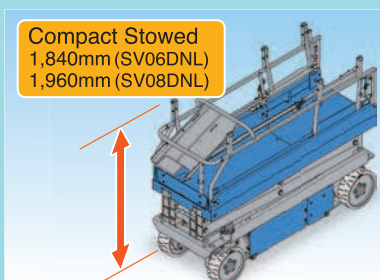
Joystick Controller. (Optional)



### 3 COMPACT BODY & LARGE PLATFORM

Compact Stowed position with Fold Down Guardrail

1.78m Platform length plus Extension deck (1.0m)



STANDARD COLOR (Blue)  
※ OPTIONAL DEVICES

# 4

## IMPROVED SERVICE ABILITY OF MAINTENANCE



### ■ WIDE RANGE OF CHARGING VOLTAGE

AC100-240V can be used.



### ■ SLIDE-OUT TRAY

Battery maintenance can be performed by slide-out tray.

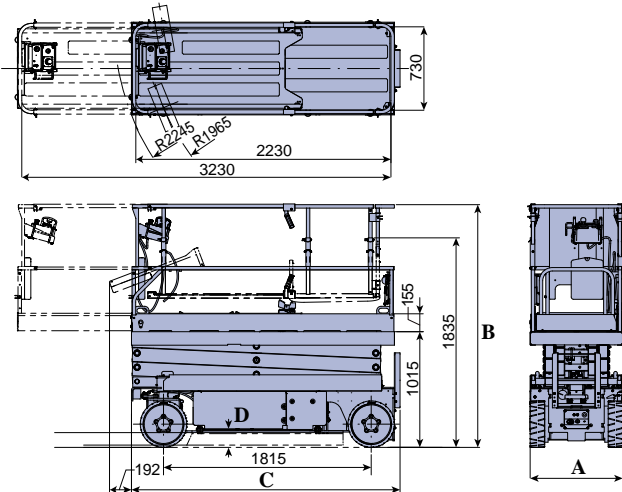


### ■ EASY ACCESS TO MAJOR COMPONENT

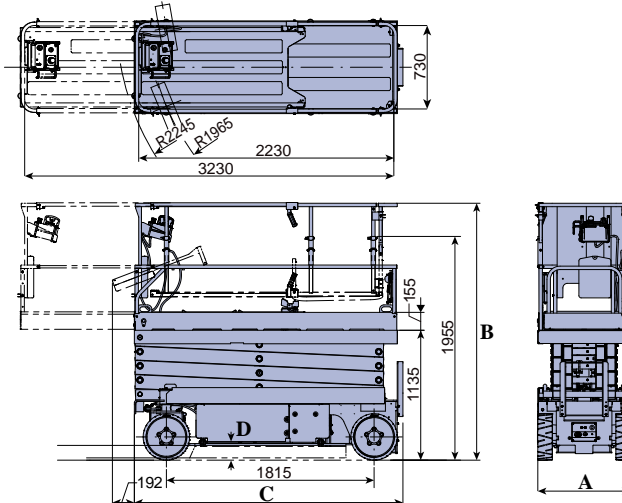
Swing-out tray enables easy access to major components for maintenance and repair.

## DIMENSIONS

### ■ SV06DNL



### ■ SV08DNL



## SPECIFICATIONS

● MODELS		
	SV06DNL	SV08DNL
● PLATFORM		
Platform Capacity	360kg	230kg
Platform Extension	1.02m	1.0m
Extension Deck Capacity	120kg	
Platform Height-Elevated	6.10m	7.77m
Platform Height-Lowered	1.02m	1.13m
Platform Size	2.30m×0.79m×1.1m	
● LIFT & LOWER SYSTEM		
Type	3 scissors link	4 scissors link
Lifting/Lowering Time	30 sec	40 sec
● POWER SYSTEM		
Batteries	24V DC (4 units of 6V 185 Ah)	
Tyre Type	Solid non-marking	
● TRAVEL DEVICE		
Speed	Max 4.5km/stowed, 1.0km/lifted	
Gradeability	25% (14degree)	
● DIMENTION		
A Overall Width	0.81m	
B Overall Height	2.12m	2.24m
C Overall Length	2.35m	
D Ground Clearance	0.13m/stowed, 0.02m/pot hole	
Vehicle Weight	1,685kg	1,945kg
Vehicle Weight (CE)	1,865kg	2,240kg
● OPTIONS		
Joystick Controller, Working Light, Flashing Beacon		
*Standards Compliance ANSI, CE, KC-Mark		
*Specifications are subject to change without notice		

## AICHI CORPORATION

Overseas Marketing & Sales Department

<http://www.aichi-corp.jp/english/>

## DISTRIBUTORS